

# **IEEE 802.11 b/g/n 1T1R 150 Mbps WiFi Adapter**

## **Product Specifications**

**Model: GWF-7A05**

**Version: 1.0**

**2013-2-22**



## 1. Scope:

The GWF-7A05 is a WLAN adapter with USB Type A connector, it supports USB2.0 standards interface. The GWF-1C04 adapter is designed to operate in 2.4GHz frequency and fully complies with IEEE 802.11b/g and 802.11n standards based on 1T1R technology.

The MT7601U MAC/BBP, RF/PA/LNA single chip is used to deliver high-performance of the latest Wi-Fi technology, including software driver support for Windows 7, Vista 32/64, XP 32/64, 2000 ; Mac OS X and Linux.

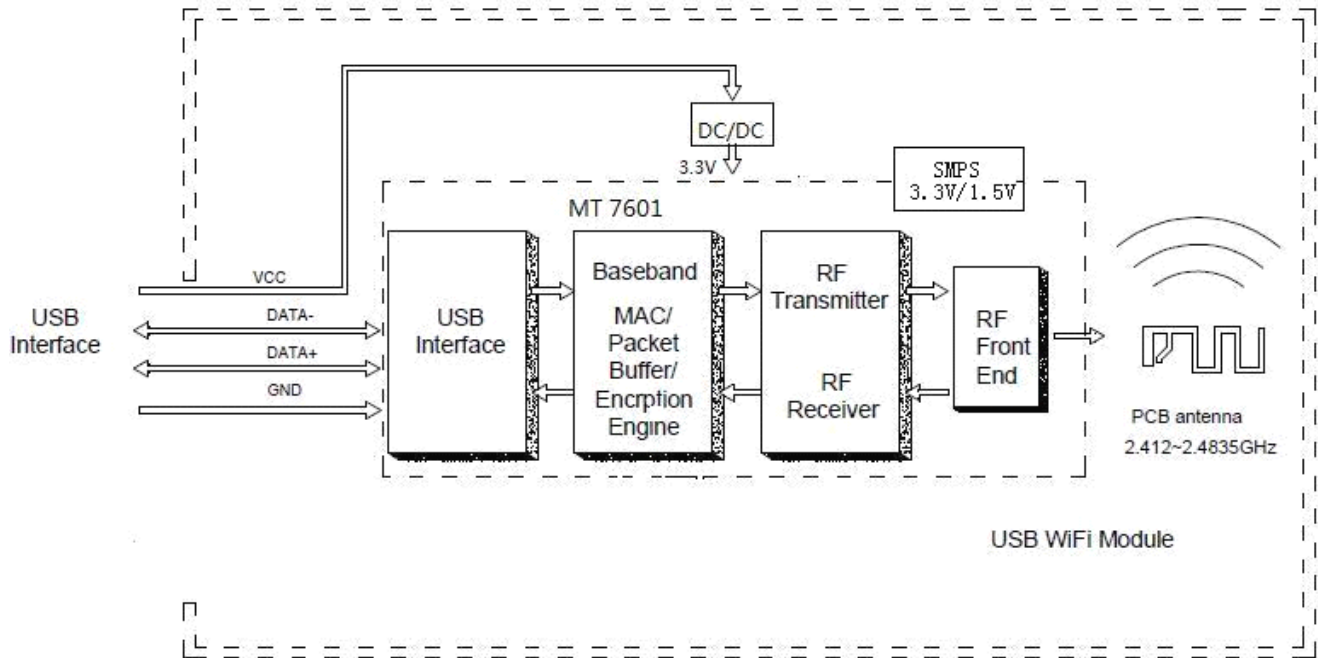
## 2. Features

- 802.11b: 1, 2, 5.5, 11Mbps; 802.11g: 6, 9, 12, 24, 36, 48, 54Mbps ;
- 802.11n: Support PHY rate up to 150Mbps.
- Support Soft-AP; QoS-WMM, WMM-PS; WiFi Direct;
- Security support for 64/128 WEP,WPA,WPA2,WAPI;
- Multiple BSSID support.
- Bluetooth co-existence

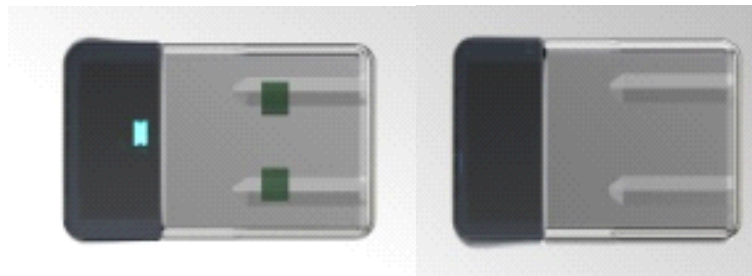


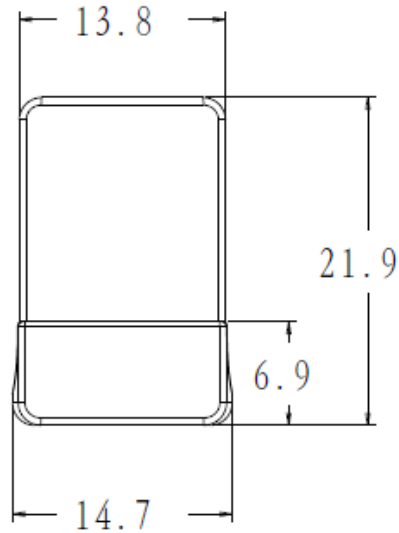
## Product Information

### 3.1 Block Diagram



### 3.2 Outline information





### 3.3 Specification:

Main Chipset	MT 7601U
Host interface	USB 2.0 Type A
LED	Link/ Activity
Antennas	built-in onboard PCB antenna
Operation Frequency	ISM band , 2412~2483.5MHz (Depends on country region).
Typical Transmit Power	802.11b (CCK) 11Mbps: 18+/-1dBm
	802.11g (OFDM) 54Mbps: 15+/-1dBm
	802.11n (HT20@MCS7), 14+/-1dBm, (HT40@MCS15),14+/-1dBm
Receive Sensitivity	802.11b: -88+/-1dBm; 802.11g: -73+/-1dBm
	802.11n (HT20), -71+/-1dBm; 802.11n (HT40), -68+/-1dBm
Operation System	Windows XP/Vista/7; Linux 2.6.X; Mac OS X



Security	WEP 64/128, WPS; WPA/WPA2 (TKIP,AES); WAPI
Voltage Range/Current	DC 5.0V $\pm$ 5% / <150mA @802.11g
Physical Specification	
Dimensions	22*15*7mm
Weight	2.5g

### 3. Environment

#### 4.1 Temperature

##### 4.1.1 Operating Temperature

Continuous reliable operation in ambient temperature:  $-10^{\circ}\text{C}$  to  $+50^{\circ}\text{C}$ .

##### 4.1.2 Storage Temperature

The product is not damaged or degraded when keeping in  $-20^{\circ}\text{C}$  to  $+85^{\circ}\text{C}$ .

#### 4.2 Humidity

##### 4.2.1 Operating Humidity Conditions

The product should be capable of continuous reliable operation when subjected to relative humidity in the range of 20% to 80% (non-condensing) .

##### 4.2.2 Non-Operating Humidity Conditions (including warehouse)

The product should not be damaged or degraded when kept in the place (where relative humidity range is in the range of 20% to 80%) for 36 hours.

### 5. Approvals and Certifications

RoHS and REACH process, FCC, CE undergoing.

### Disclaimer

THESE MATERIALS AND INFORMATION ARE PROVIDED "AS IS" WITHOUT WARRANTY OF ANY KIND, EITHER EXPRESS OR IMPLIED , INCLUDING BUT NOT LIMITED TO, THE IMPLIED WARRANTIES OF MERCHANTABILITY, FITNESS FOR A PARTICULAR PURPOSE OR NON-INFRINGEMENT.

We use reasonable efforts to include accurate and up-to-date information on this document; it does not, however, make any representations as to its accuracy or completeness of the information, text, graphics, links or other items contained within these materials. Your use of this Document is at your own risk. Ogemray, its suppliers, and other parties involved in creating and delivering this Document's contents shall not be liable for any special, indirect, incidental, or consequential damages, including without limitation, lost revenues or lost profits.